

Installation guide PRO3

Before installing read this guide first



Introduction

The operation of the Quooker PRO3

The Quooker system consists of a vacuum-insulated tank, which is connected to the cold water supply under the sink and to the Nordic single tap, the Fusion tap or the Flex tap. Both boiling water and mixed water can be drawn off from the Fusion and Flex tap.

Inside the tank the water is heated electrically to approx. 110°C and is kept at this temperature. The Quooker PRO3 has a capacity of 3 litres. Before the water leaves the tank it is purified by the HiTAC® water filter.

The Nordic single tap, the Fusion tap and the Flex tap are fitted with a child-proof push-and-turn handle (see 'Tips for use'), which is clearly recognisable by its industrial ribbing. The Nordic single tap is height adjustable to guarantee safe use. Both the Nordic single tap, the Fusion tap and the Flex tap are well insulated.

Despite all the safety features incorporated in the product, anyone using the Quooker system must keep in mind the risks of using boiling water in general. Incorrect use can lead to injury. Therefore always read the manual carefully before use.

Installation, maintenance and warranty

Installing the Quooker requires connections to the water supply pipe and the electrical system. The Quooker is supplied with a handy connection kit (including the required Quooker inlet valve) for simple installation. For optimally purified Quooker water, we recommend changing the HiTAC® filter cartridge every 5 years. If necessary, the tank can be descaled. In areas with hard water this should be performed more regularly.

You must not connect the Quooker to a deionised water device or to a water softener that reduces the pH value.

The warranty period is two years, according to our General Terms of Business.

Users

The Quooker tap can be used by children above the age of eight and people with diminished physical, sensory or intellectual abilities provided they are supervised or have been instructed on the safe use of the device. Inform people who are unfamiliar with the Quooker system about safe use and the possible dangers associated with the use of the boiling-water tap. Please note: incorrect use may result in injury. Prevent children from using the tap as a toy and do not allow children to clean or maintain the product unsupervised. Keep the plug out of reach of small children.

The Quooker system is suitable for household use and commercial use such as in staff kitchens at shops, offices, farms and other business premises and for use by visitors at hotels, motels, bed & breakfasts and other residential accommodation.

Always follow the installation method described in the manual. Avoid spilling water on the plug. If defective, the power plug may only be replaced by a qualified technician. Water may drip from the pressure relief valve. This is normal. Always leave the grey funnel of the pressure relief valve open.

The pressure relief valve must be serviced regularly to prevent lime scale build-up and to check that the valve has not blocked up. Make sure you let the tank cool off adequately before disconnecting it. The fastest way to do this is as follows: turn off the Quooker, but leave the plug in the socket. Then open the boiling-water tap and turn it off once the water is cold. You can find a more detailed explanation for disconnecting the tank in chapter F.

Tips for use and the installation manual can also be found on our website: www.quooker.ae

Declaration of conformity

Quooker Nederland b.v., Staalstraat 13, 2984 AJ Ridderkerk (The Netherlands) herewith declares, on our own responsibility, that the products Quooker PRO3 is in accordance with the conditions of the following directives:

- 2006/95/EC Low voltage Directive
- 2004/108/EC Electromagnetic Compatibility Directive
- 2014/68/EU Pressure Equipment Directive

And are in conformity with the following standards:

EN60335-1:2012 + A11:2014

EN60335-2-15:2002 + A1:2005 + A2:2008 + A11:2012

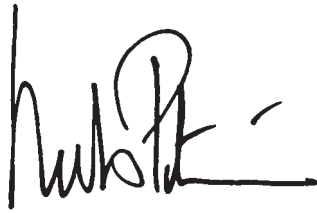
EN62233:2008

EN55014-1:2006 + A1:2009 + A2:2011

EN55014-2:1997 + A1:2001 + A2:2008

EN61000-3-2:2014; EN61000-3-3:2013; EN61000-4-2:2009; EN61000-4-3:2006 + A1:2008 + A2:2010; EN61000-4-4:2012; EN61000-4-5:2014; EN61000-4-6:2014; EN61000-4-11:2004

The Netherlands, Ridderkerk, 12/02/2016

A handwritten signature in black ink, appearing to read 'Niels Peteri', with a horizontal line extending to the right.

Niels Peteri, Director

Technical Specifications

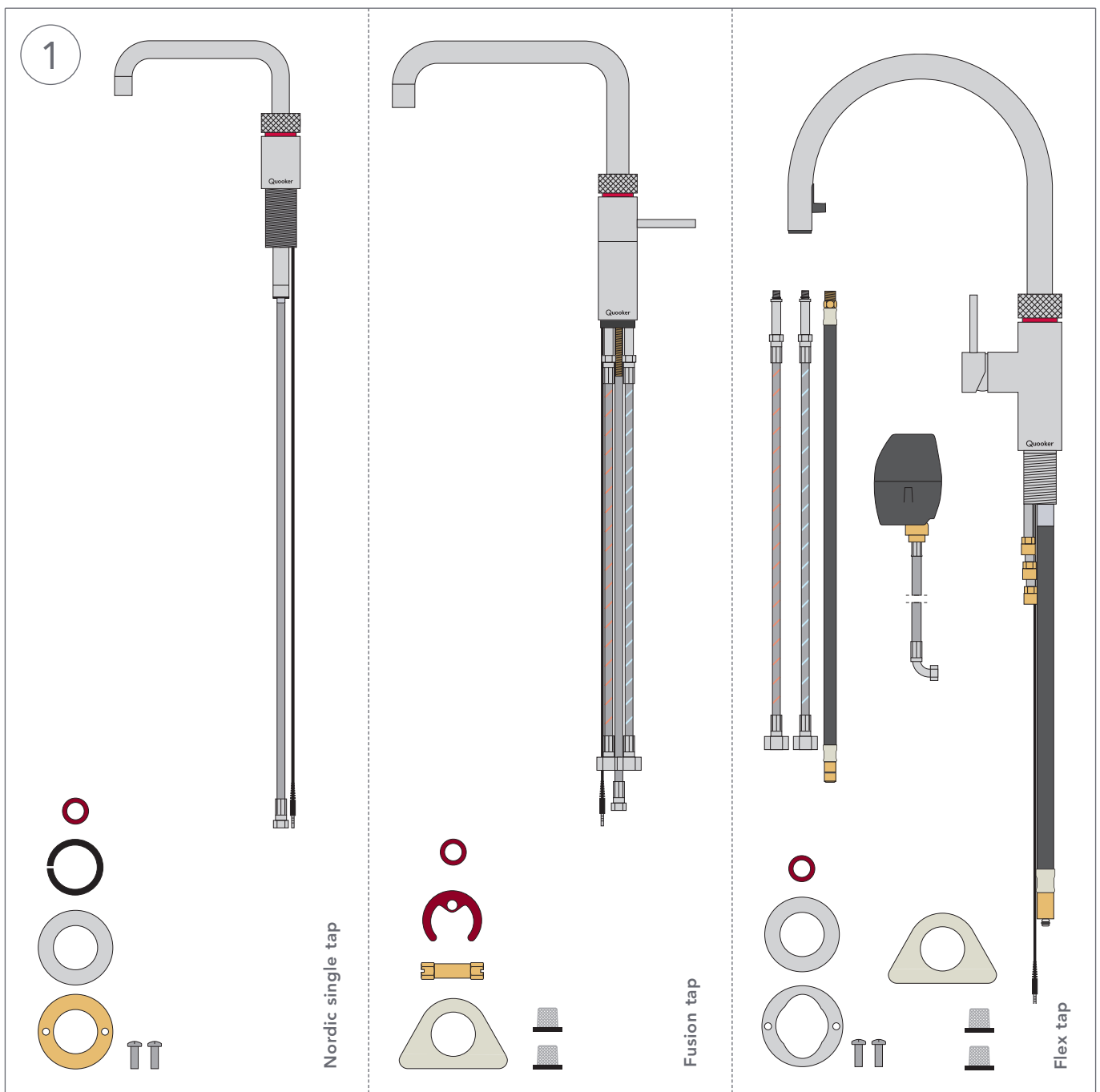
Tank	PRO3
Voltage	230 V
Wattage	1600 W
Capacity	3 litres
Heating-up time*	10 minutes
Standby power consumption	10 W
Tank height	44 cm
Tank diameter	15 cm
Min. mains pressure	200 kPa (2 bar)
Max. mains pressure	600 kPa (6 bar)
Max. working pressure	800 kPa (8 bar)
Mounting bracket optional	yes
Safety features	- maximum temperature fuse - pressure relief valve 800 kPa (8 bar)
Water shut-off valve	electric
HiTAC® water filter	High Temperature Activated Carbon

*These are average values.

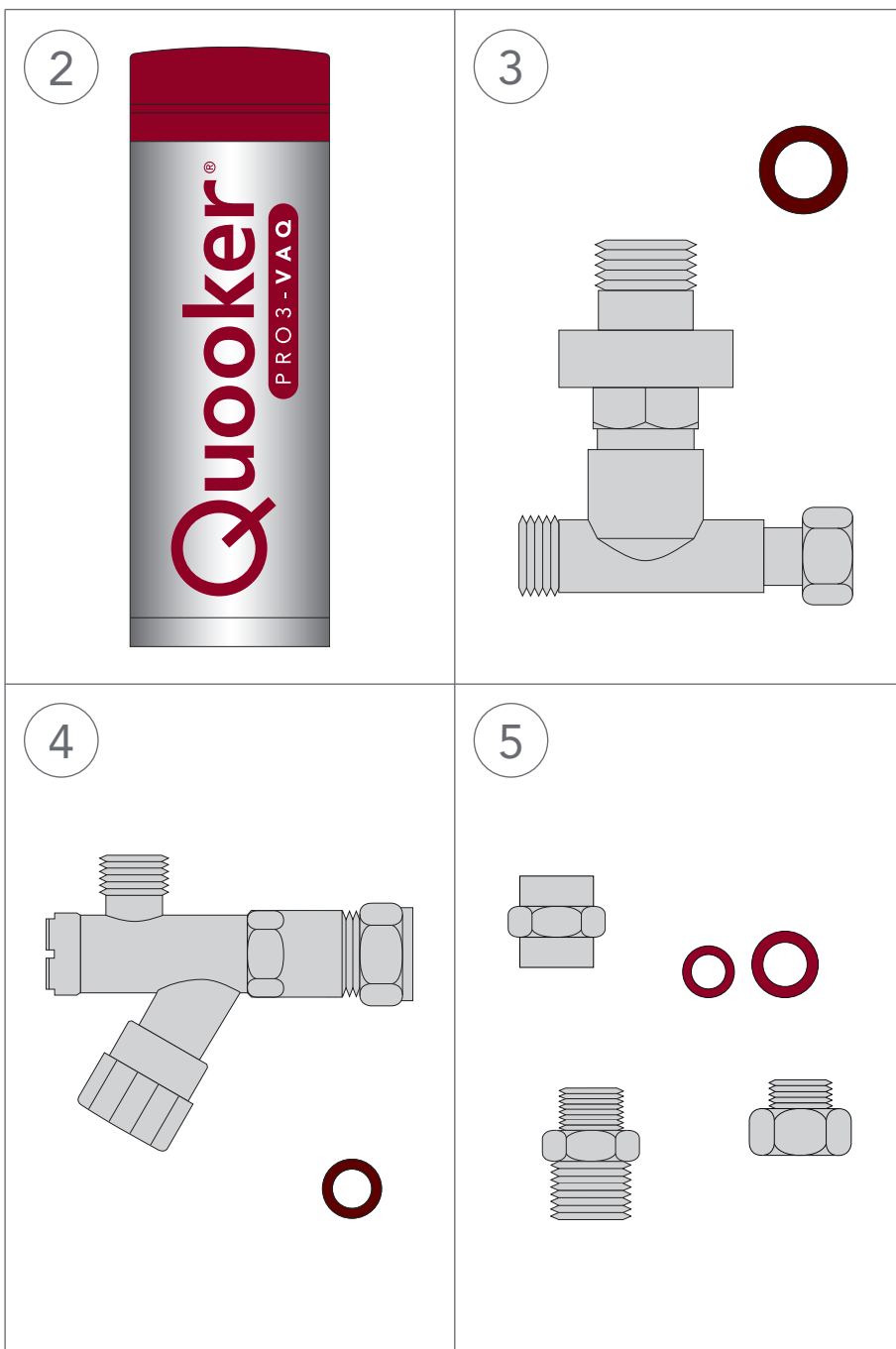
Tap	Nordic single tap	Fusion, Flex and mixer tap
Tap hole size	32 mm	35 mm
Recomm. temp. hot water	-	60°C
Tap base plate optional	yes	yes

Contents of the pack

1. Nordic single tap, packing ring, centring ring, steel ring, brass sink nut and two screws
or Fusion tap, packing ring, brass fixing plate, fixing nut, white tap support (for thin work tops) and two inlet hose screens
or Flex tap, hoses, fibre washer(s), steel washer, screw ring with two screws, coupling with boiling water hose, white tap support, two inlet hose screens and quick-release tool



2. PRO3 tank
 3. Quooker inlet valve with packing ring
 4. Angle stopcock with filter and packing ring
 5. Inlet couplings and packing rings
- 'Tips for use'



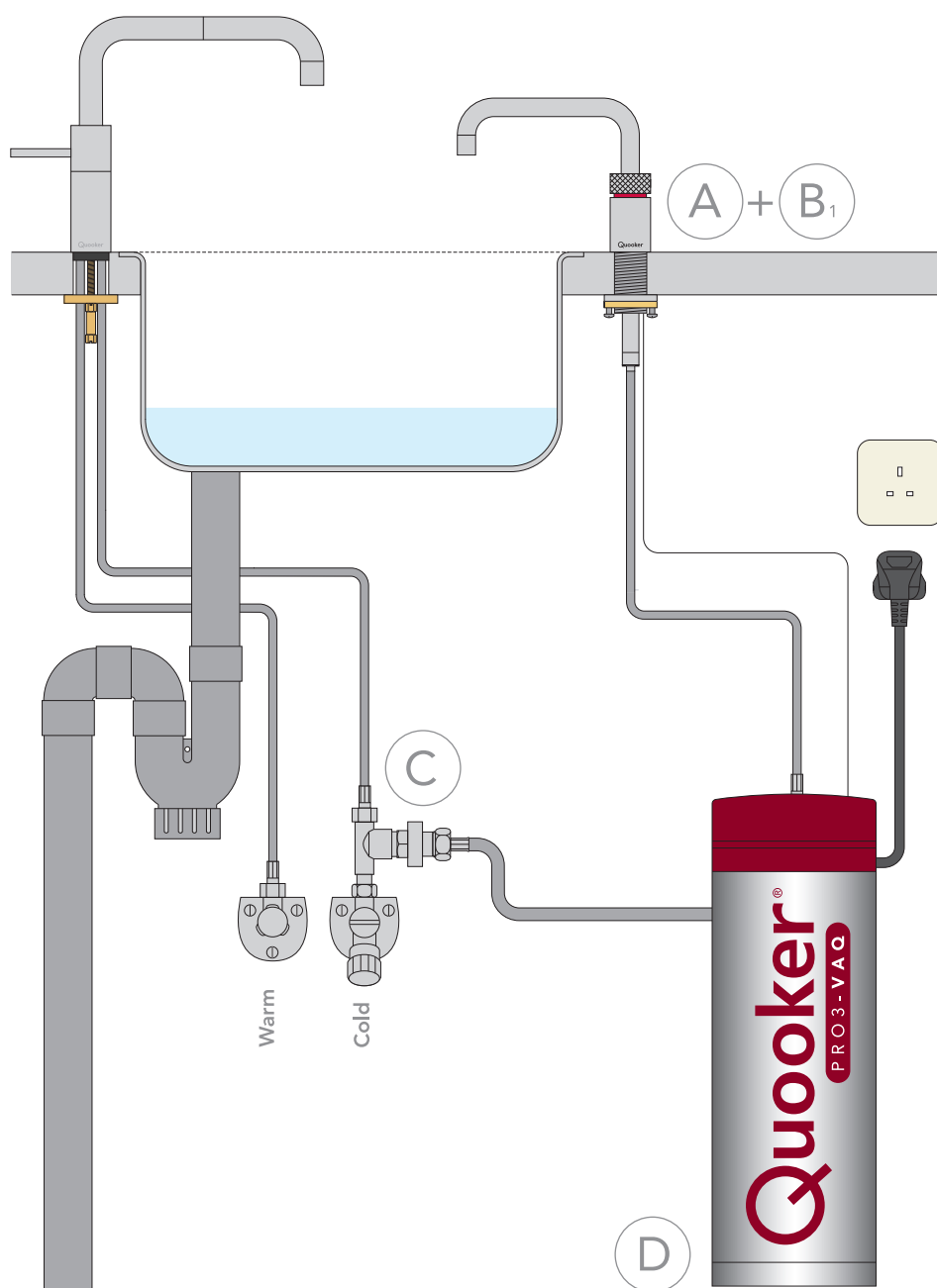
Overview of Nordic tap installation

It's recommended that you install the Quooker in the following order:

- A. Drilling hole
- B1. Fitting Nordic single tap
- C. Connecting water
- D. Connecting tank

NOTE: Please bear in mind that the tank, inlet valve and socket must remain easily accessible for servicing.

For an overview of the Fusion tap installation please refer to the next page.

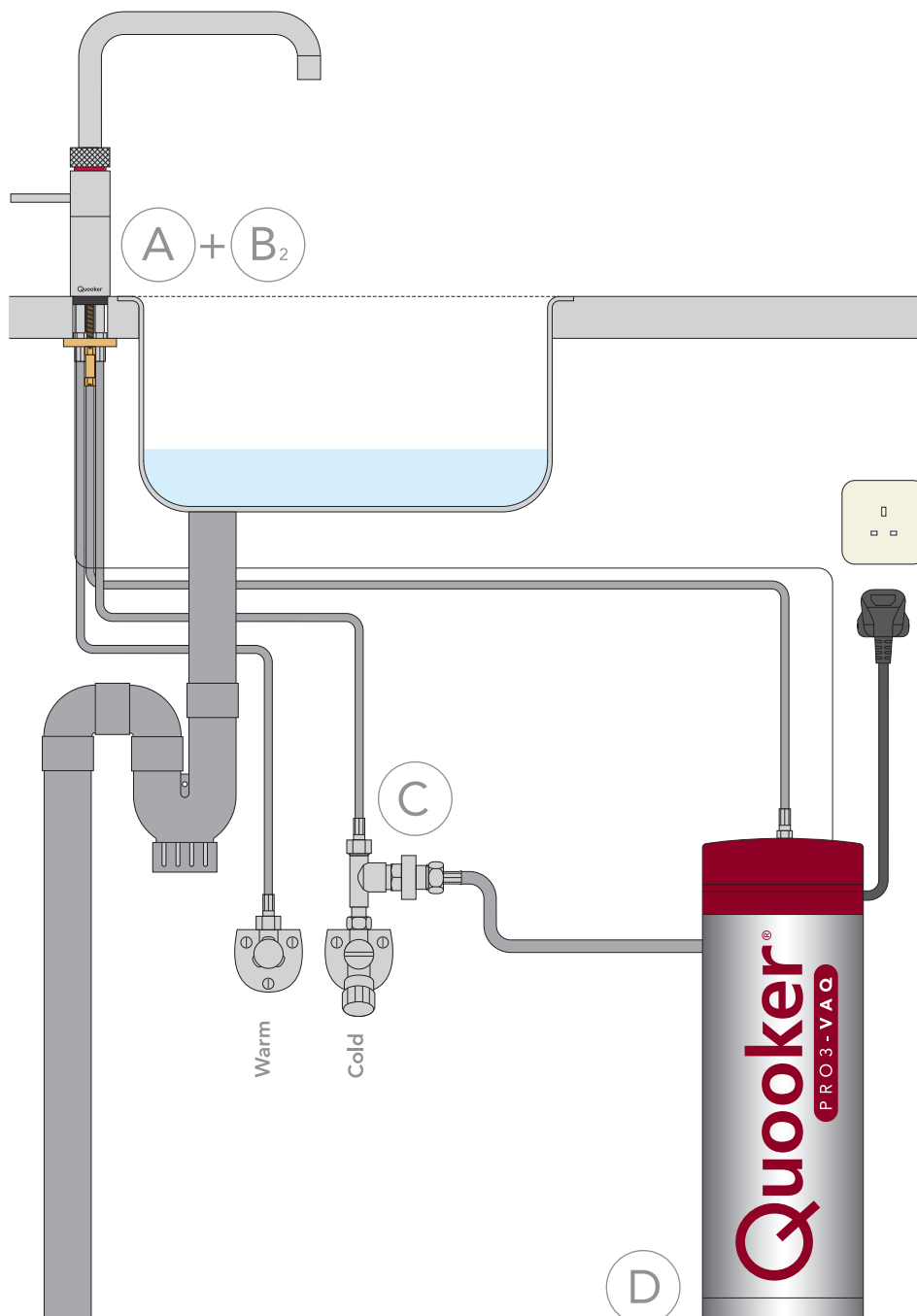


Overview of Fusion tap installation

It's recommended that you install the Quooker in the following order:

- A. Drilling hole
- B2. Fitting Fusion tap
- C. Connecting water
- D. Connecting tank

NOTE: Please bear in mind that the tank, inlet valve and socket must remain easily accessible for servicing.

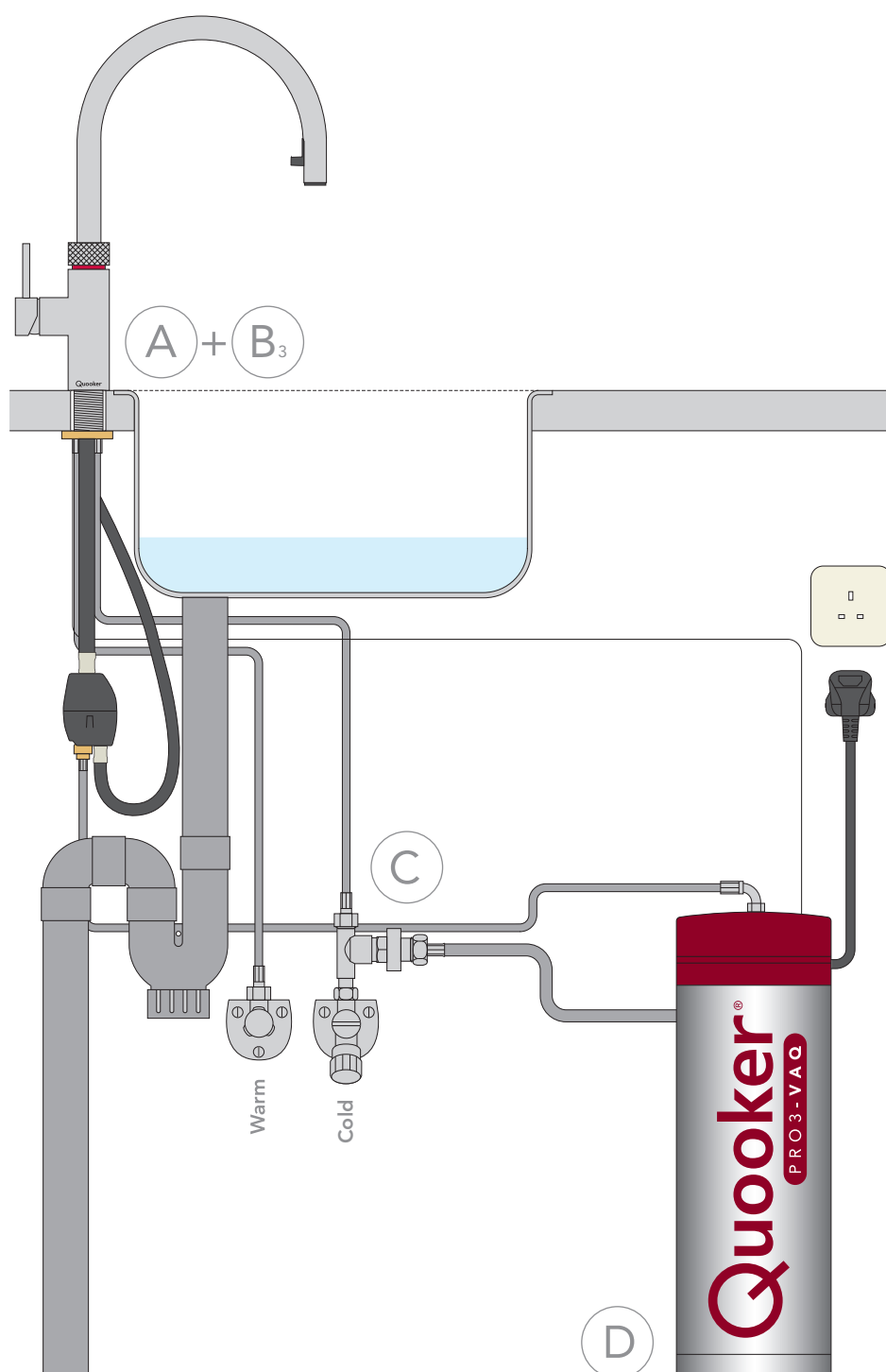


Overview of Flex tap installation

It's recommended that you install the Quooker in the following order:

- A. Drilling hole
- B3. Fitting Flex tap
- C. Connecting water
- D. Connecting tank

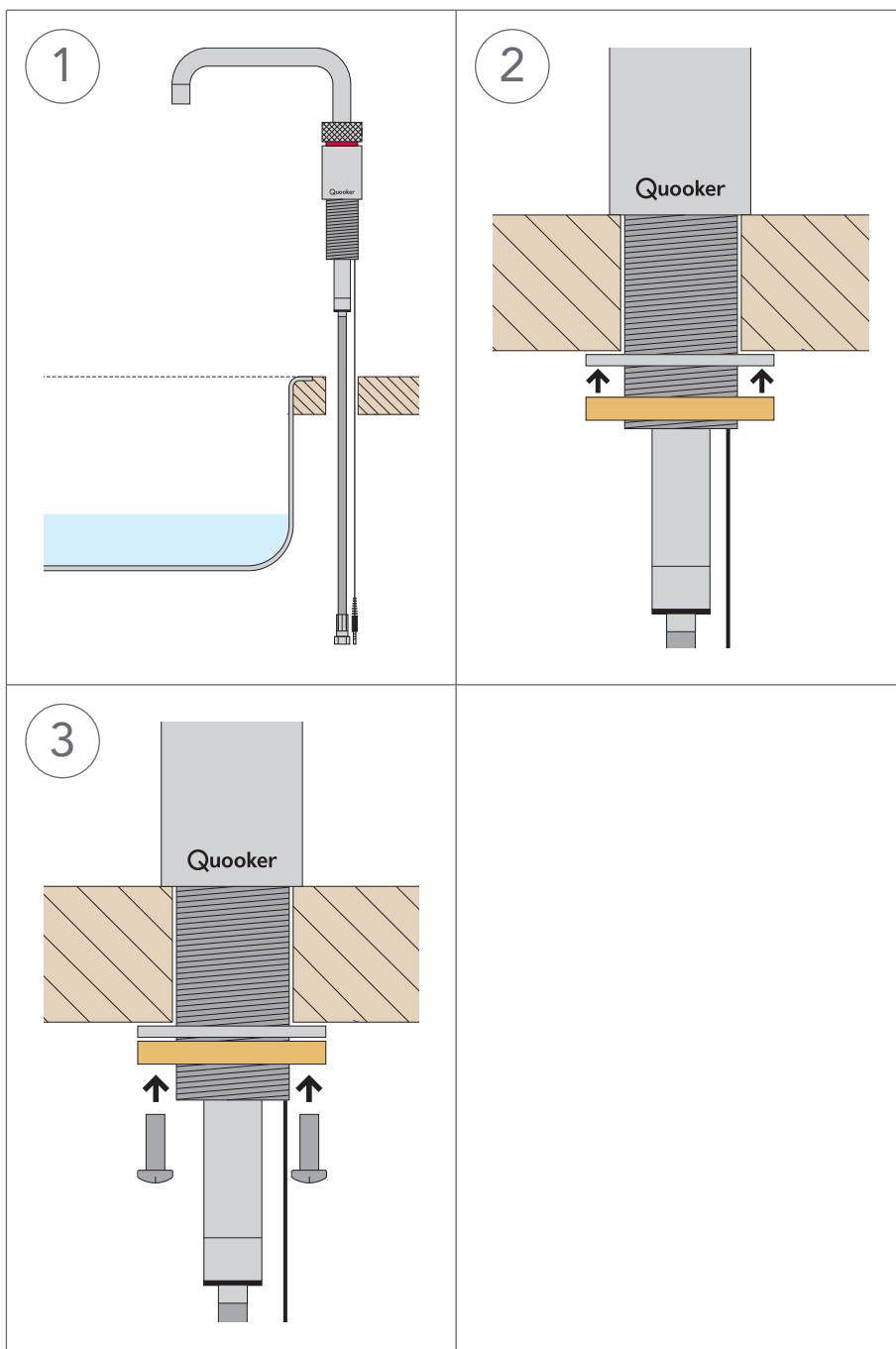
NOTE: Please bear in mind that the tank, inlet valve and socket must remain easily accessible for servicing.



B₁

Fitting Nordic single tap

- The total length of the hose between the boiling-water tap and tank is only 70 cm. The tank must therefore be fitted close to the tap. Extension hoses are available in different lengths but are not normally required.
- The small fibre washers supplied with the tap rings are not required yet at this point. One will be used for connecting the tap and tank hose (see section E), the second one is a spare.



1 Tap through work top

Push the tap through the hole in the work top. Use the black ring (supplied with the tap rings) when the tap hole is bigger than 35 mm to center the tap.

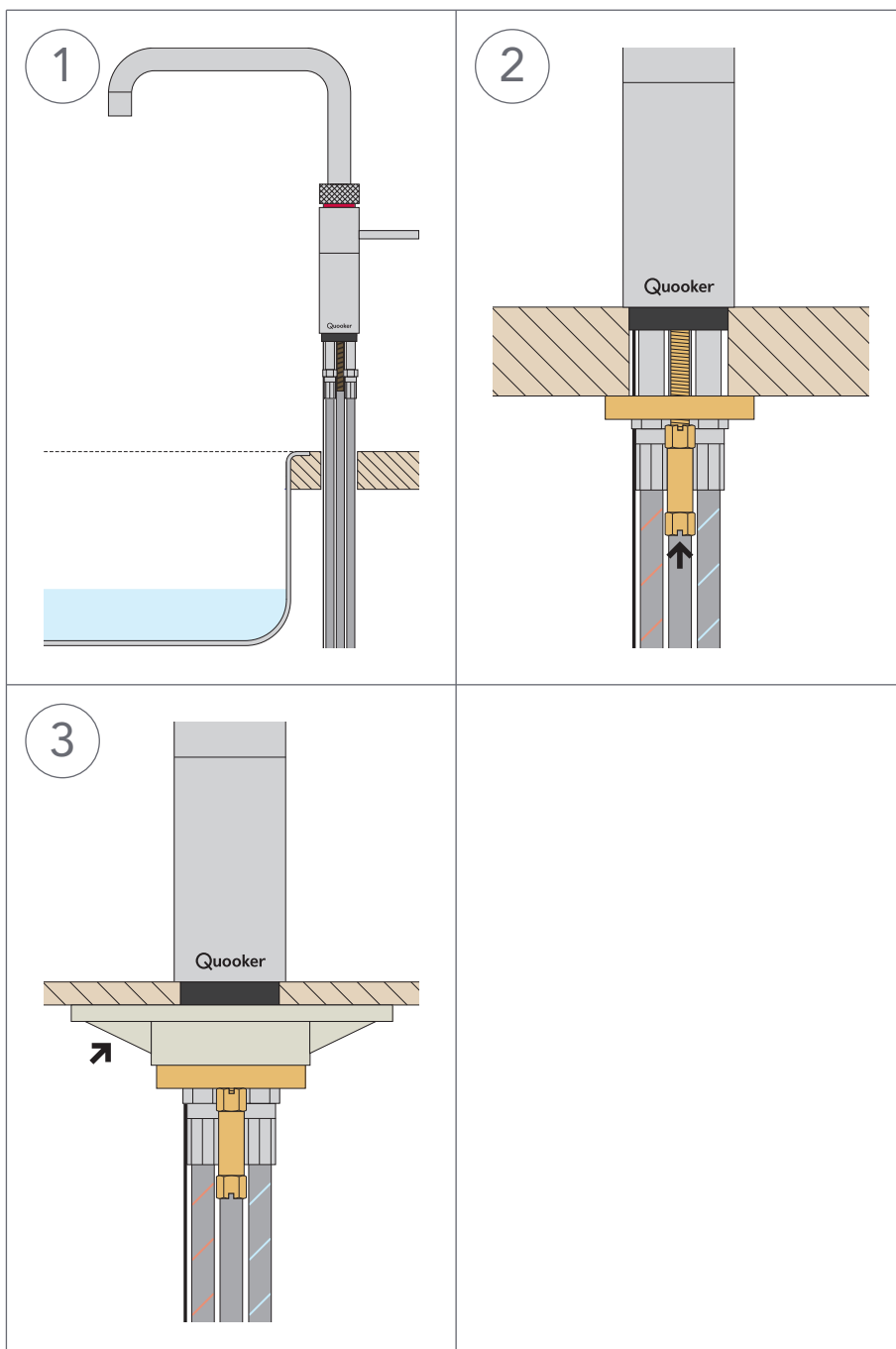
2 Securing the tap

Set the tap to the desired position and secure it with the metal ring and screw ring supplied.

3 Securing tap screws

Tighten the screws in the screw ring.

B₂ Fitting Fusion tap



1 Tap through work top

Push the tap through the hole in the work top.

2 Securing tap

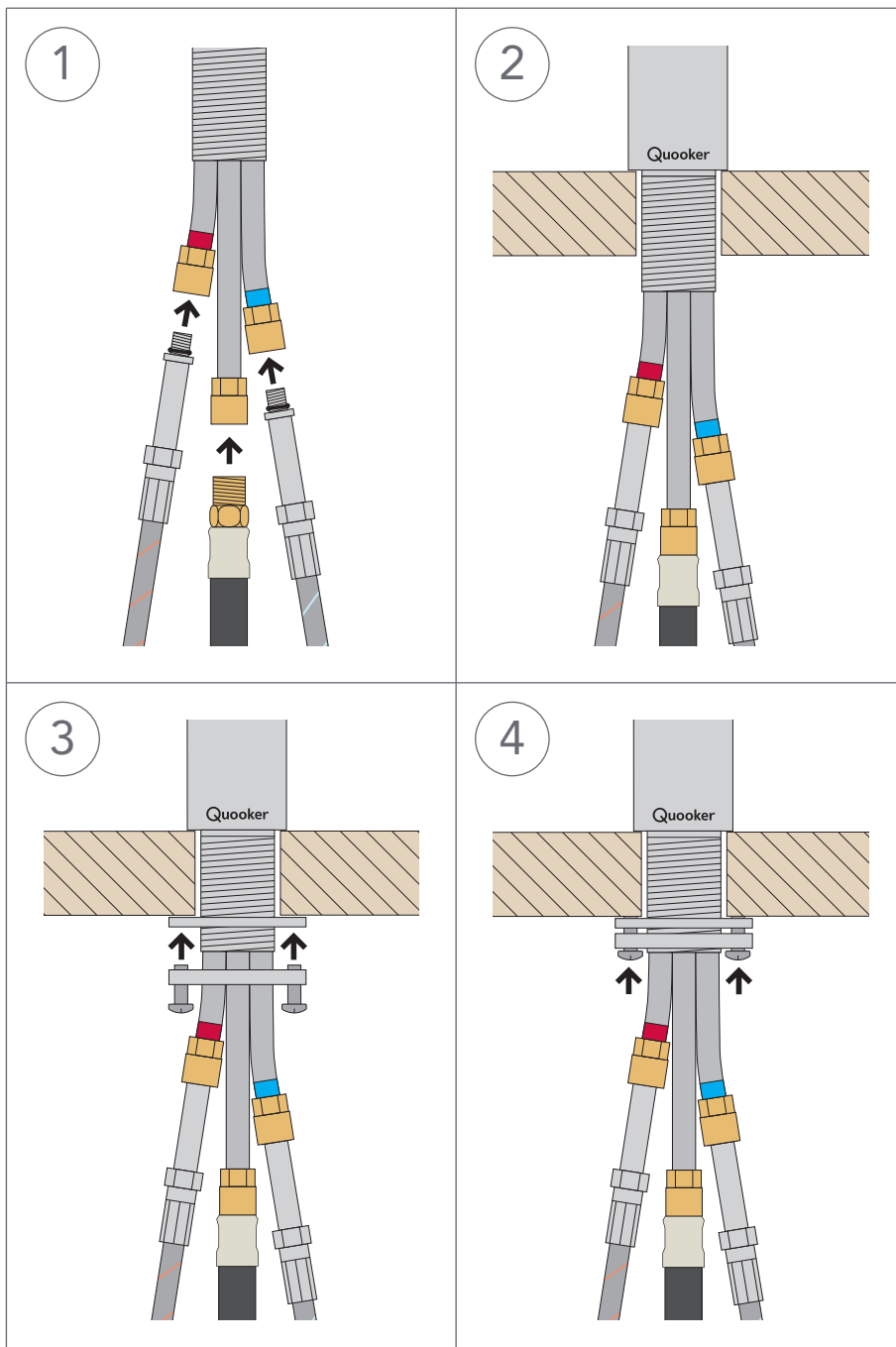
Position the brass fixing plate around the hoses. Screw the fixing nut onto the tap thread. Adjust the position of the tap to ensure that the Quooker logo is facing the user. When the handle is in the cold position, it will be parallel to the edge of the work top. Tighten the fixing nut with a pipe wrench, socket wrench or spanner.

3 Fitting to thin work top

When fitting to a thin work top, use the white tap support underneath the brass fixing plate.

B₃ Fitting Flex tap

- When installing the reservoir it is necessary to take into account that the Flex tap coupling must be able to move up and down freely.



1 Fit hoses

Fit the hot, cold and mixer water hose to the tap.

2 Tap through work top

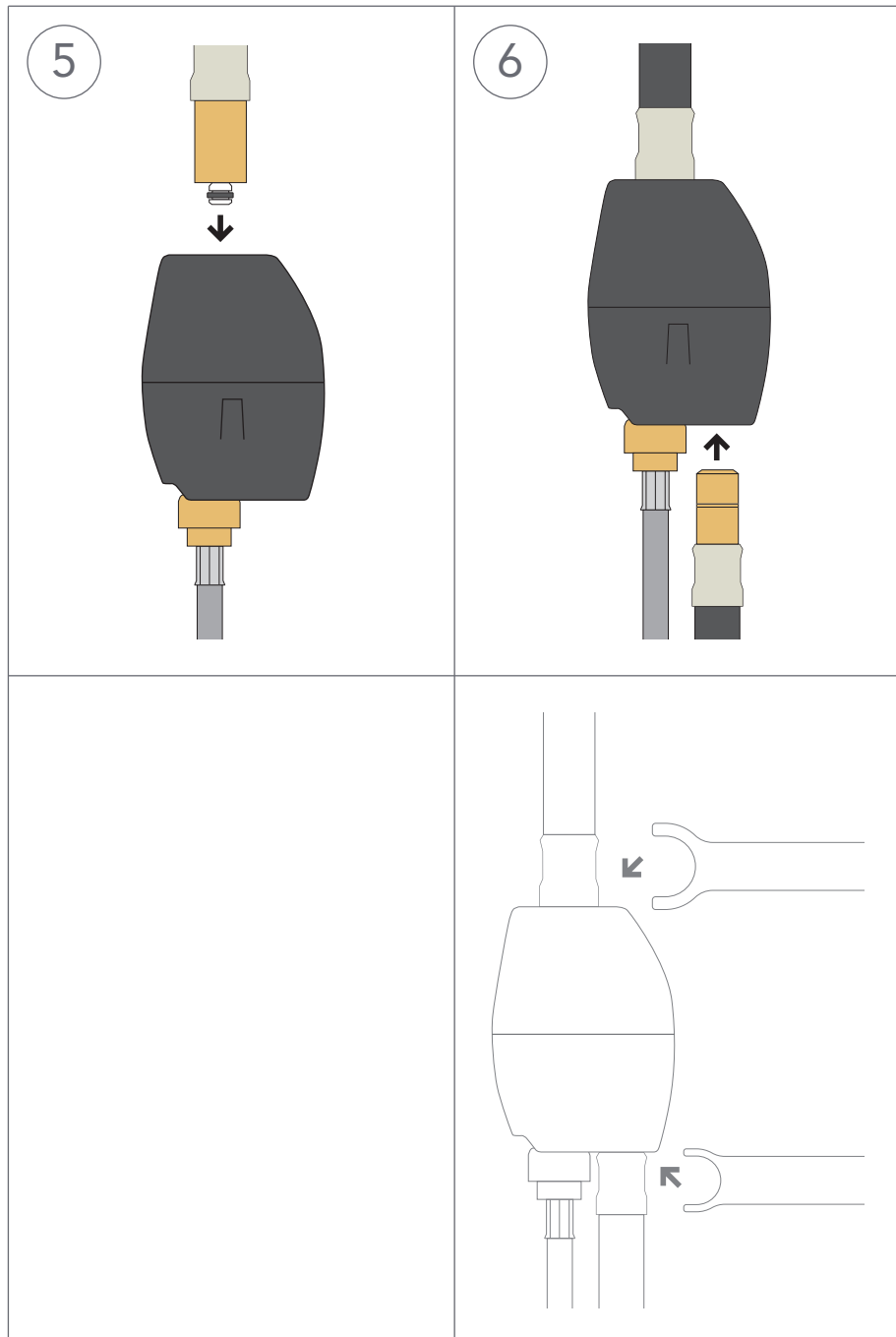
Push the tap through the hole in the work top.

3 Tighten the brass plate

Put the tap in the required position and fully tighten the brass plate.

4 Securing tap screws

Tighten the screws in the screw ring.



5 Attach the coupling

Click the pull-out hose into the coupling's quick-release fitting while ensuring that the hose pillar is fully inserted.

6 Fit the mixer water hose

Click the mixer water hose into the coupling's quick-release fitting while ensuring that the hose pillar is fully inserted.

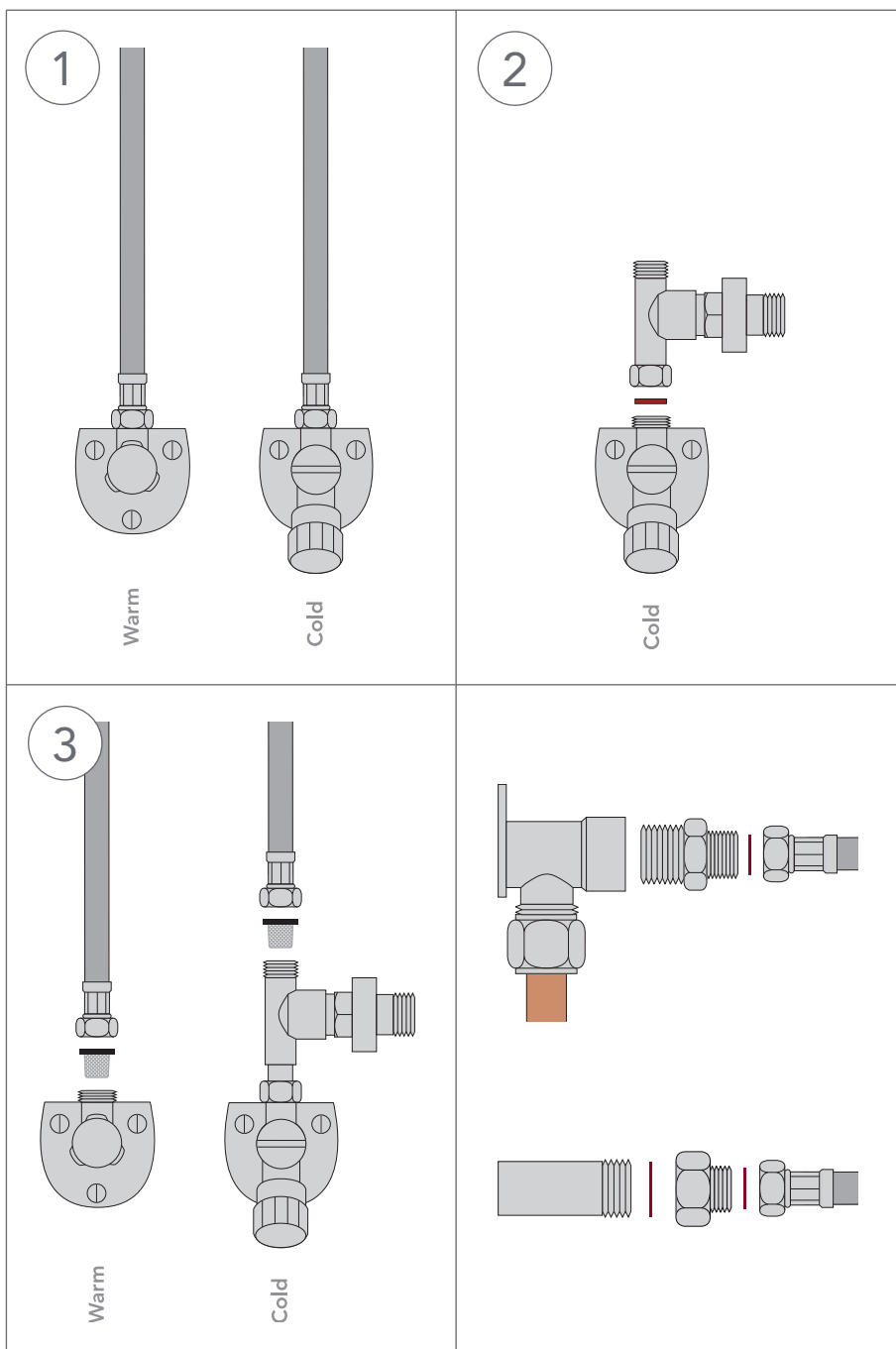
If necessary

Detach coupling. Use the quick-release tool to detach the mixer water hoses from the coupling. Press the quick-release tool flat against the coupling to hold it still. This enables the hose to be extracted.

C

Connecting water

- The Quooker operates under mains water pressure and must always be fitted to the water pipe with the supplied inlet valve.
- The Nordic single tap, the Fusion tap or the Flex tap must be installed according to the locally applicable regulations.



1 Shut off water

Before installation, shut off the angle stopcock or water supply to the main water tap. If necessary, fit supplied angle stopcock.

2 Connect inlet valve

Connect the inlet valve to the angle stopcock with the fibre washer.

3 Connect hot and cold water hose

Connect the hot water hose with the water filter to the angle stopcock. Connect the cold water hose with the hose filter to the inlet valve.

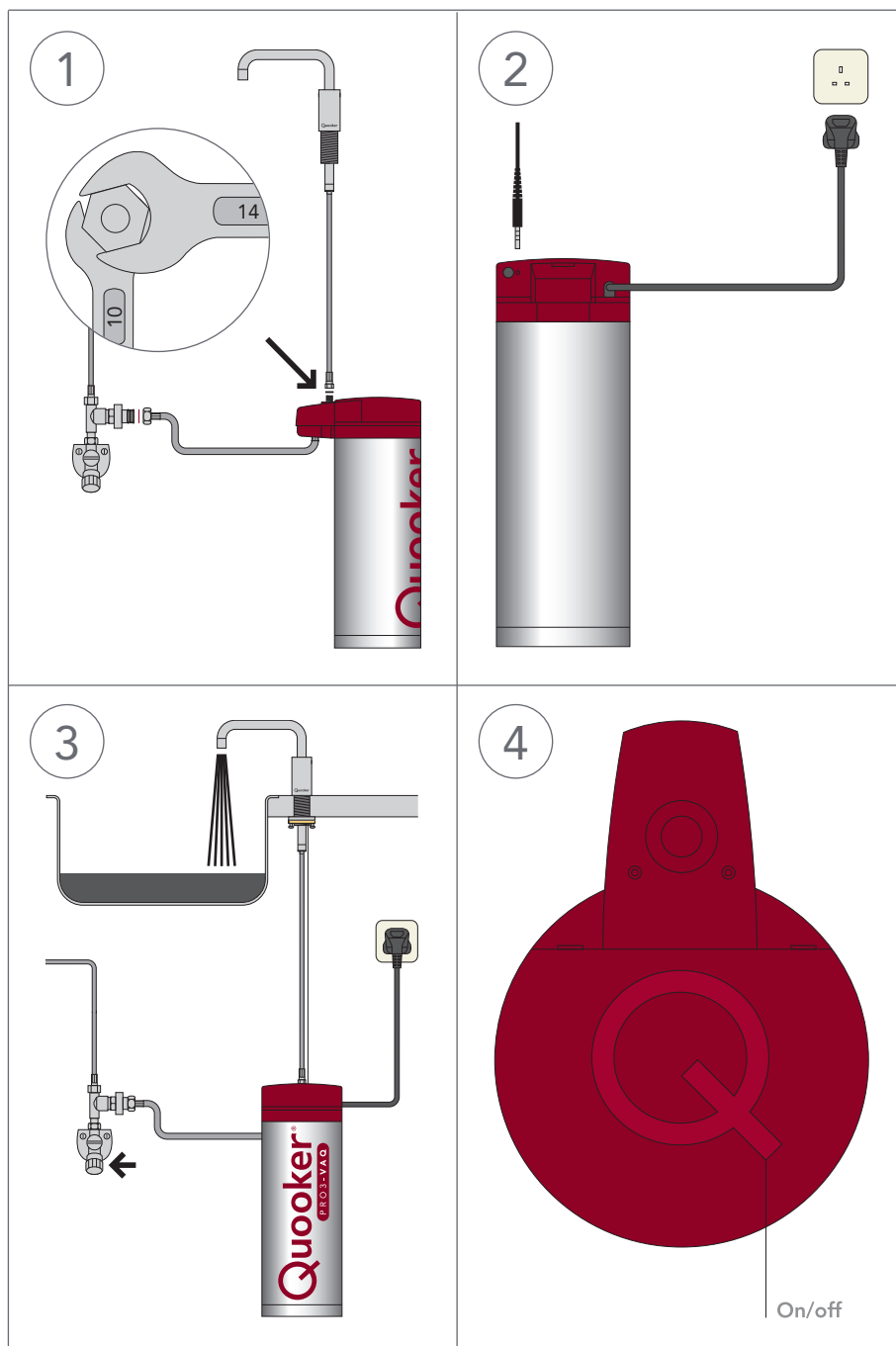
If necessary

If only a G $\frac{1}{2}$ " connection is present, use one of the G $\frac{1}{2}$ " couplings with the supplied packing rings.

D

Connecting tank to tap

- The Quooker tank is supplied with a UK 3 pin plug and requires a standard 13 amp earthed socket.
- If the mains lead is damaged, it must be replaced by the manufacturer, their agent or a qualified technician.
- The 'Q' on the lid is the on/off switch.



1 Connecting tank and tap

Position the tank and connect to the inlet valve using the washer provided. Using size 10 and 14 socket spanners, connect tap hose to fitting at the top of the tank.

2 Electrical connection

Insert the LED cable into the relevant opening. Connect the tank to an earthed socket. Do not switch on until the tank is filled with water.

3 Filling tank

Open tap and angle stopcock. Check for leaks. Rinse Quooker for a few minutes, until the water is clear. The initial black colouring is activated carbon from the filter and completely harmless.

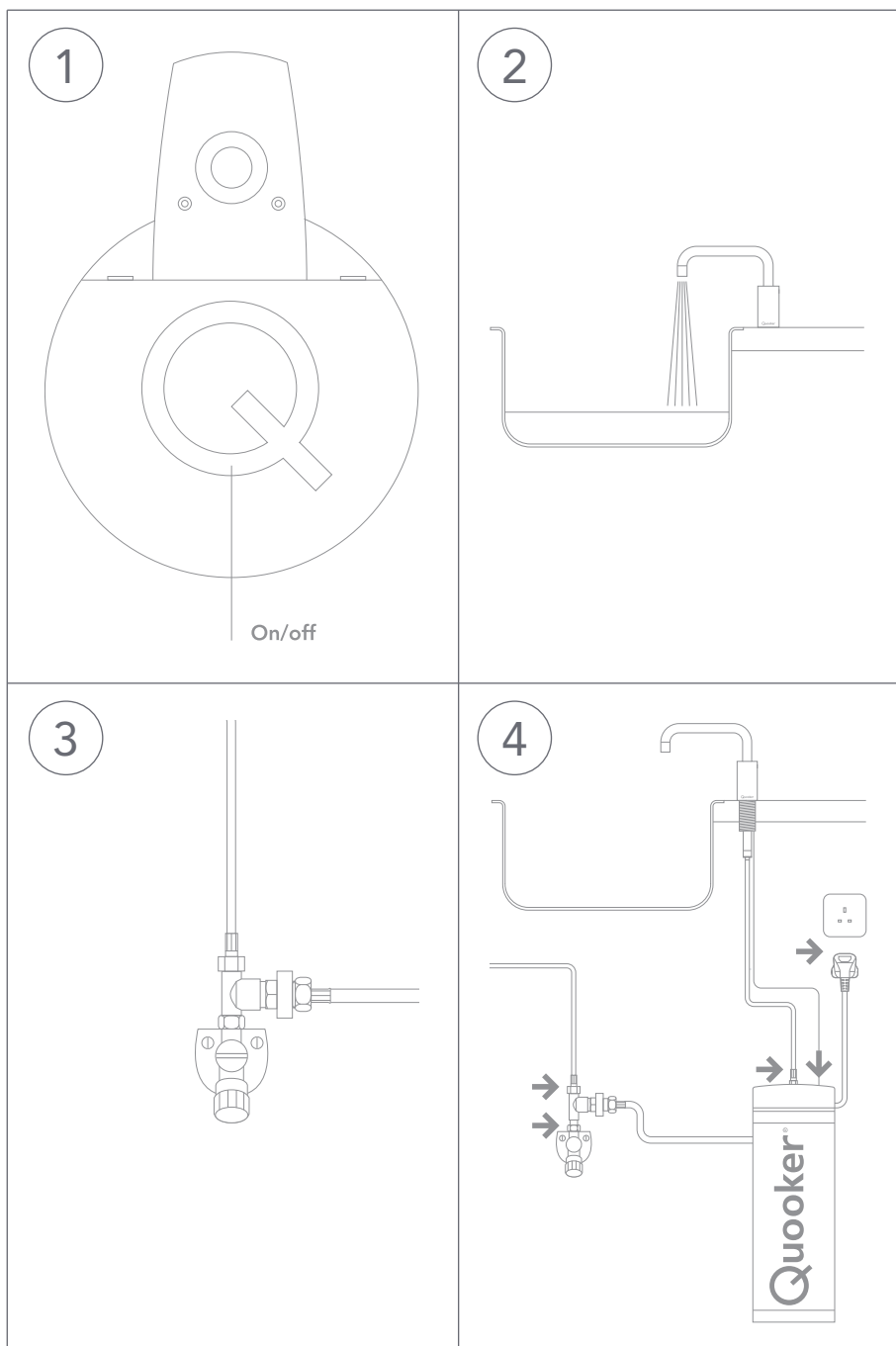
4 Switching on

Switch the tank on. After the Quooker has heated up, the entire content of boiling water must be flushed out once before use.

E

Disconnecting tank

- In case of service



1 Switching off

Switch the Quooker off using the on/off switch on top of the lid. Leave the plug in the socket.

2 Draining

Open the boiling-water tap and leave the water running until it is cold.

3 Isolating

Shut off the main water tap or the angle stopcock for cold water. Check that the Quooker has depressurised by opening the tap again.

4 Disconnecting

Unplug LED cable from lid. Release the hose connections and pull the plug out of the socket. Remove inlet combination and reconnect the cold water hose to the angle stopcock.



www.quooker.ae